


Grease separators for underground installation

Euro G Products

Illustration	NS	Weight	Installation depth D in mm	Cover class A/B Article #	Cover class D Article #	
	1 NS 1	111 kg	550 to 950	93 001/80 B	93 001/80 D	
	NS 2	120 kg	550 to 950	93 002/80 B	93 002/80 D	
	NS 4	130 kg	550 to 950	93 004/80 B	93 004/80 D	
	2 NS 1	111 kg	800 to 1200	93 001/120 B	93 001/120 D	
	NS 2	120 kg	800 to 1200	93 002/120 B	93 002/120 D	
	NS 4	130 kg	800 to 1200	93 004/120 B	93 004/120 D	
	Delivery:		System completely assembled.		Accessories see page 281-282: Sampling chamber, extension section, direct disposal, <i>SonicControl</i> (NS 2 and NS 4). Pumping stations see chapter 3 "lifting stations".	

Certification: Z-54.1-440
Change pending

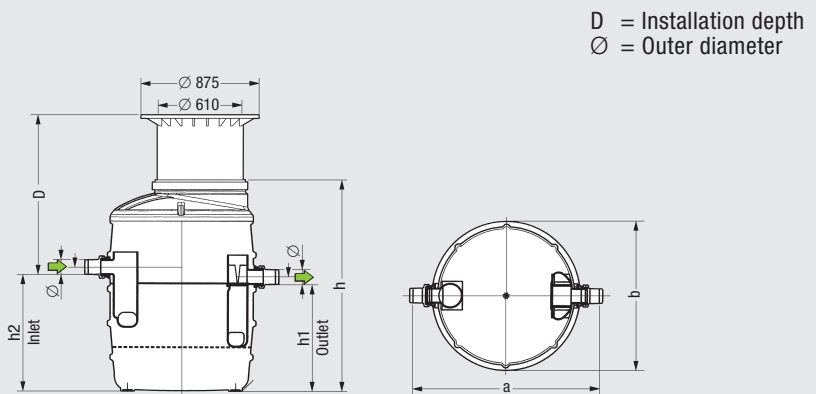
Grease separator Euro G NS 1/2/4
 in accordance with EN 1825 and DIN 4040-100, made of polyethylene

For underground installation
Upper section made of polymer, infinite height and level adjustment, with cover class A/B, D in accordance with EN 124 made of cast iron, sealed odour-tight, incl. lift-out key.

- 1** for ground installation frost-free depth 800 mm
- 2** for ground installation frost-free depth 1200 mm

Resistant when installed in the groundwater up to 500 mm
A load distribution plate must be provided for class D.


Further nominal sizes on request



Nominal size	Ø	a	b	h ¹⁾	h1	h2	Sludge	Grease	Total (including water)
NS 1	110	1380	1106	1050	540	610	140 l	70 l	370 l
NS 2	110	1380	1106	1300	790	860	200 l	120 l	570 l
NS 4	110	1380	1106	1550	1040	1110	400 l	160 l	770 l

¹⁾ Specifications apply for type 80. For type 120, h* = h + 250 mm.

Direct disposal / disposal chamber Accessories

Illustration	Article description	Illustration	Article #
	Direct disposal for grease separators <input type="checkbox"/> without disposal chamber		
	<input type="checkbox"/> Disposal connection right	1	917 419.00
	<input type="checkbox"/> Disposal connection left	1	917 419.50
	Direct disposal for grease separators <input type="checkbox"/> including disposal chamber Ø 400		
	<input type="checkbox"/> Disposal connection right	1 2	917 420.00
	<input type="checkbox"/> Disposal connection left	1 2	917 420.50
	Disposal chamber Ø 400	2	917 422
	Joint and connection set made of polyethylene	-	917 421